



## *Illustrated Parts List*

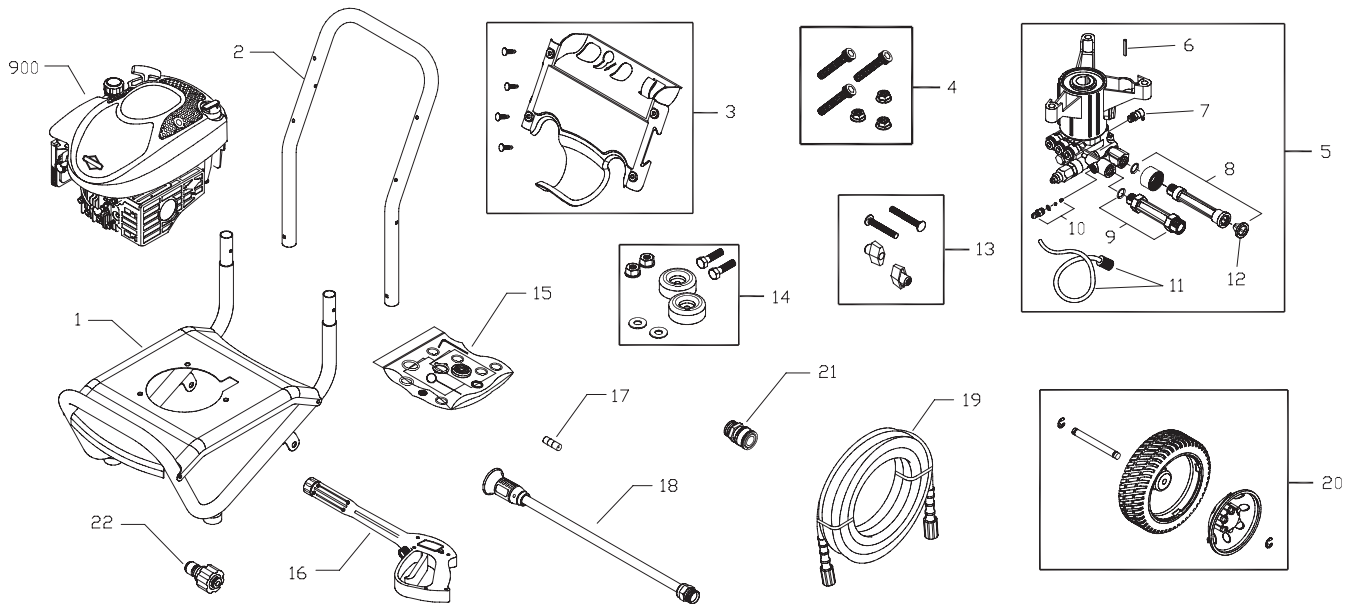


This pressure washer is rated in accordance to the Pressure Washer Manufacture Association (PWMA) standard PW101 (Testing and Rating Performance of Pressure Washers).

**BRIGGS & STRATTON POWER PRODUCTS GROUP, LLC  
JEFFERSON, WISCONSIN, U.S.A.**

Model No. 020378 (2500 PSI (172.3 BARS) Pressure Washer) Manual No. 207280A Revision - (07/24/2008)

# Exploded View and Parts List — Main Unit



Item	Part #	Description
1	202481GS	BASE, w/Vibe Mounts
2	J199110GS	HANDLE
3	206442GS	ASSY, Billboard w/Decal & Clips
	195964GS	Clip
4	203526GS	KIT, Pump Mounting Hardware
5	202274GS	ASSY, Pump
6	23139GS	Key
7	194298GS	Valve, Thermal Relief
8	201496GS	Kit, Water Inlet
9	201497GS	Kit, Outlet
10	192914GS	Kit, Hose Tail
11	189971GS	Kit, Chemical Hose
12	B2384GS	Filter, Inlet
13	B2203GS	KIT, Handle Connector
14	192310GS	KIT, Vibration Mount
15	6048	KIT, O-Ring Maintenance
16	204627GS	GUN
17	B1236DGS	ORFICE
18	205015CGS	WAND, Adjustable
19	202017GS	HOSE

Item	Part #	Description
20	202483GS	KIT, Wheel
	203872GS	Axle
	200520GS	Hubcap
	192050GS	E-Ring
21	95518GS	QUICK CONNECT, Coupler
22	95519GS	QUICK CONNECT
900	§	ENGINE

### Items Not Illustrated

207280GS	MANUAL, Operator's
87815GS	GOGGLES
794693	LABEL, Warning
794706	COVER, Static/Label Assy
207398GS	DECAL, Eng, Shroud
192014GS	FITTING, Hose, 1/2"
192015GS	FITTING, Hose, 3/4"
200171GS	KIT, Tag Warning, Service

### Optional Accessories

6039	PUMP SAVER
------	------------

§ - Contact Engine Manufacturer

Copyright © 2008 Briggs & Stratton Power Products Group, LLC. All rights reserved. No part of this material may be reproduced or transmitted in any form by any means without the express written permission of Briggs & Stratton Power Products Group, LLC.